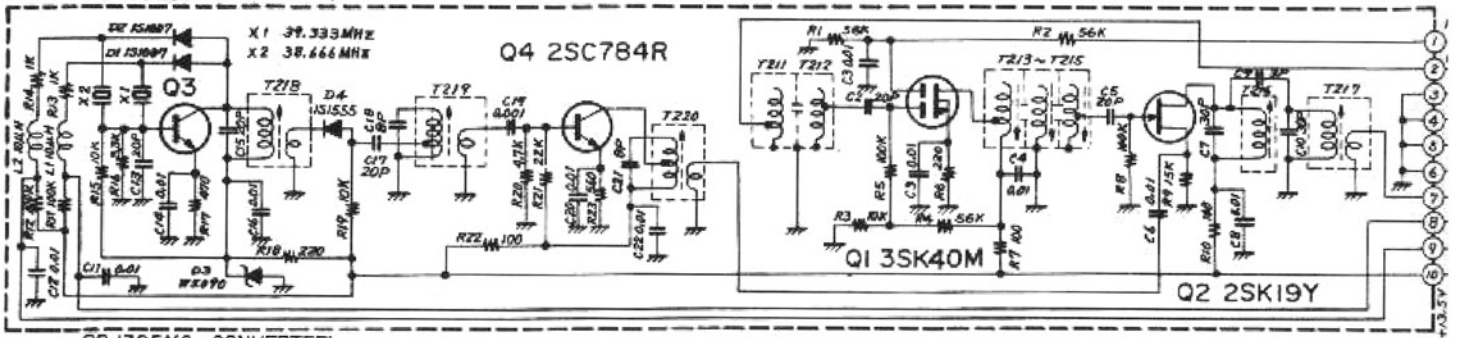
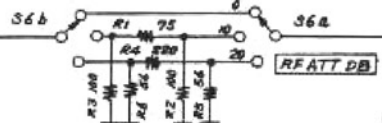
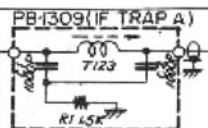
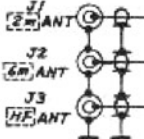
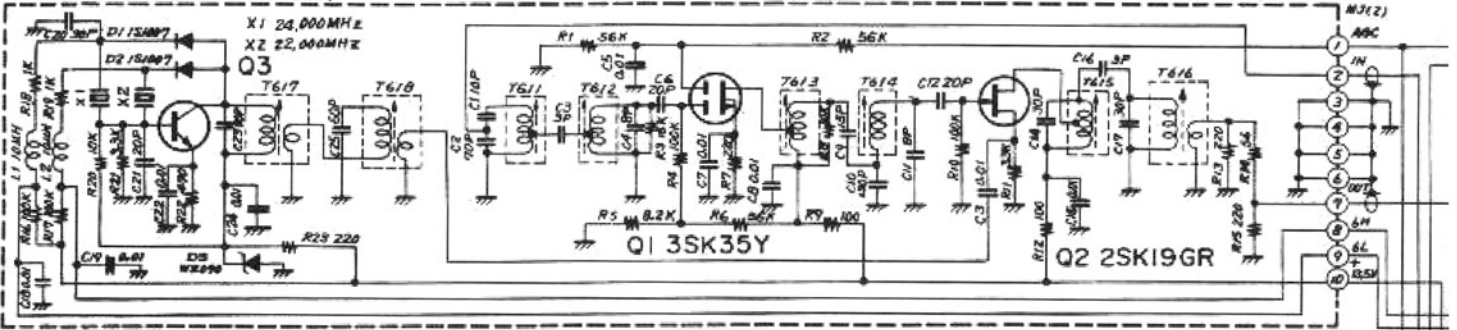


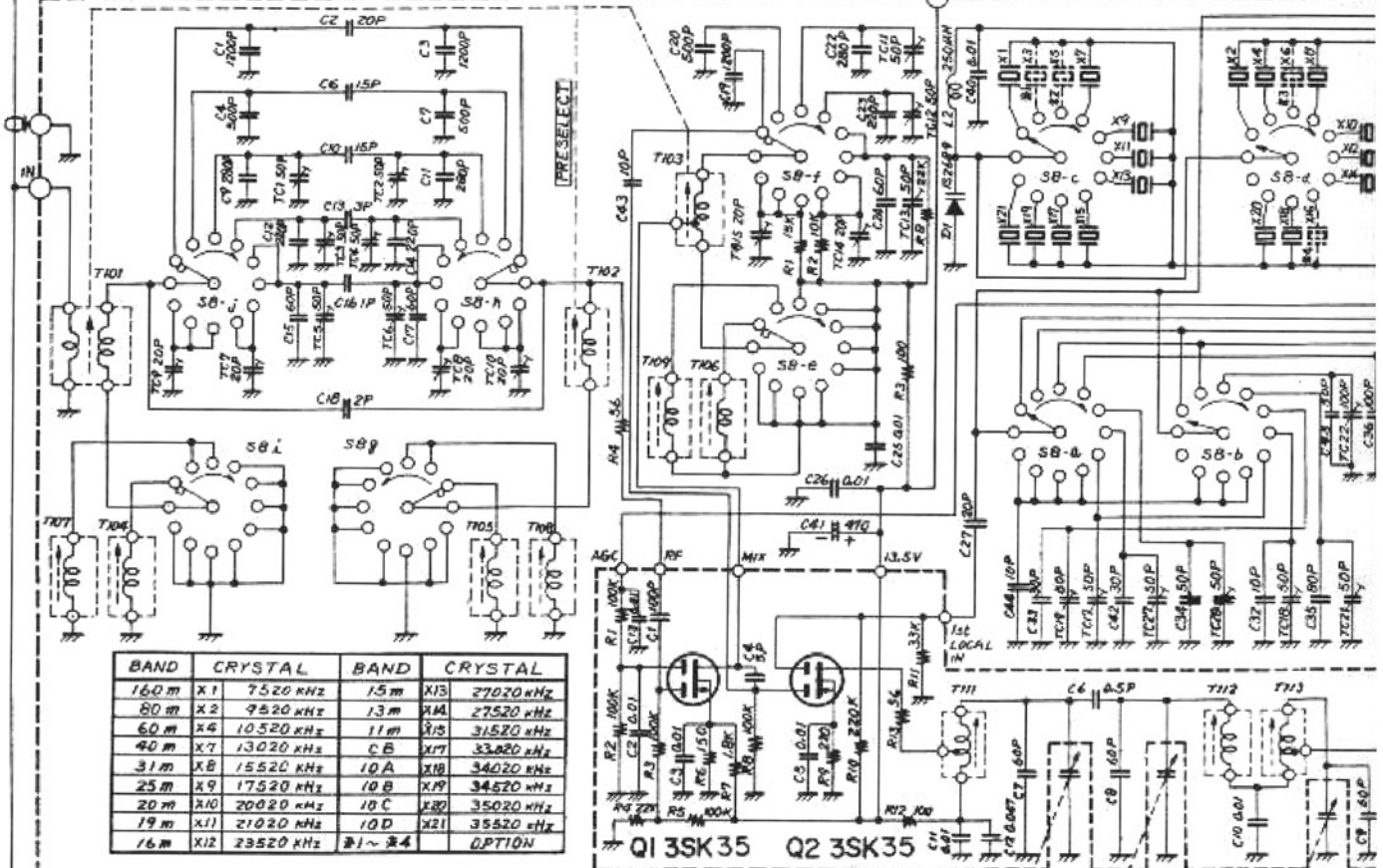
PB-1306(2m CONVERTER)



PB-1305A(6m CONVERTER)



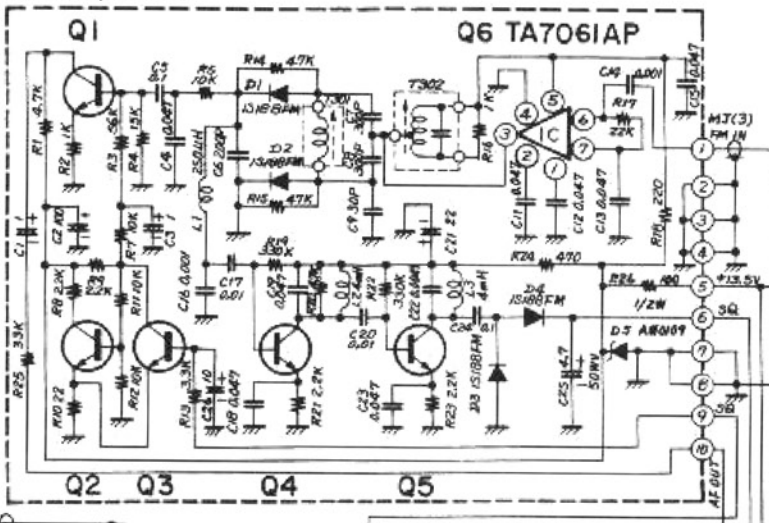
PB-1225C (RF)



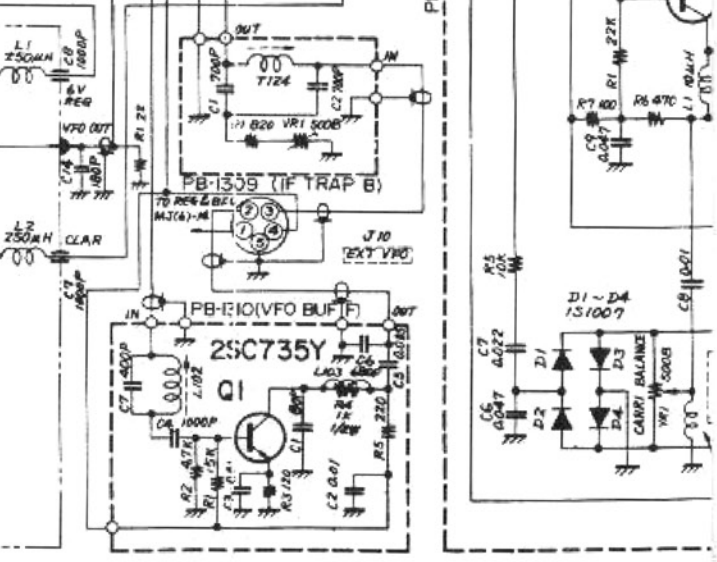
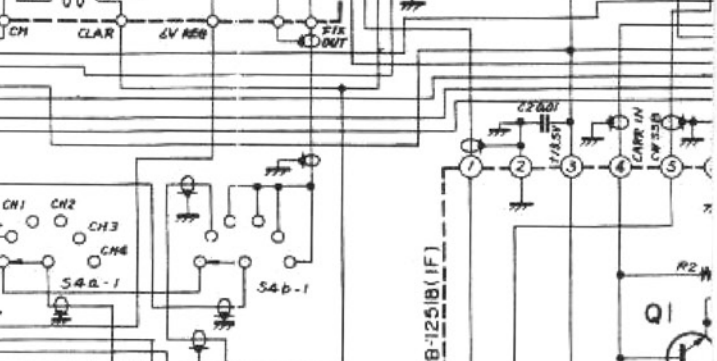
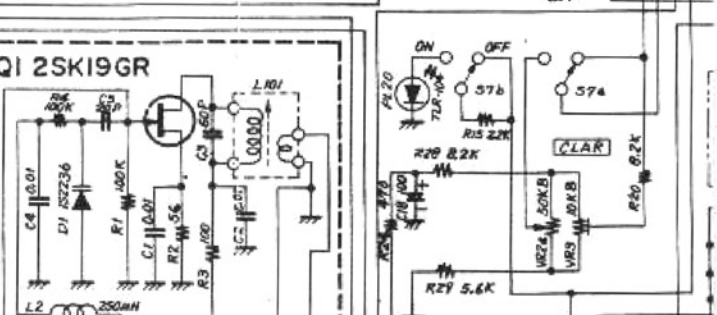
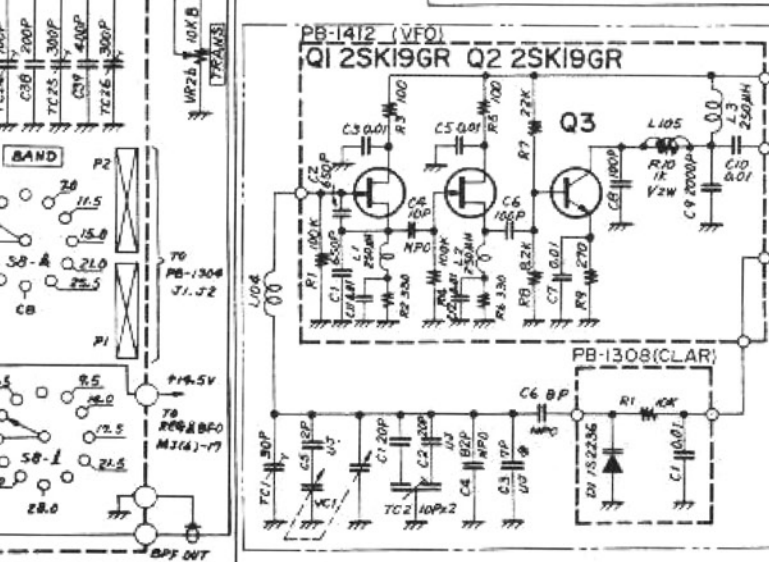
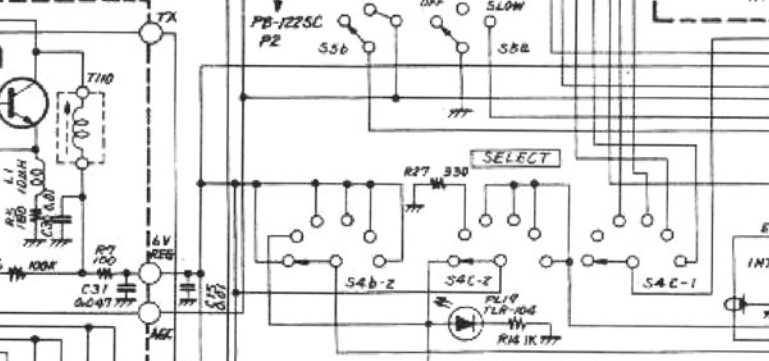
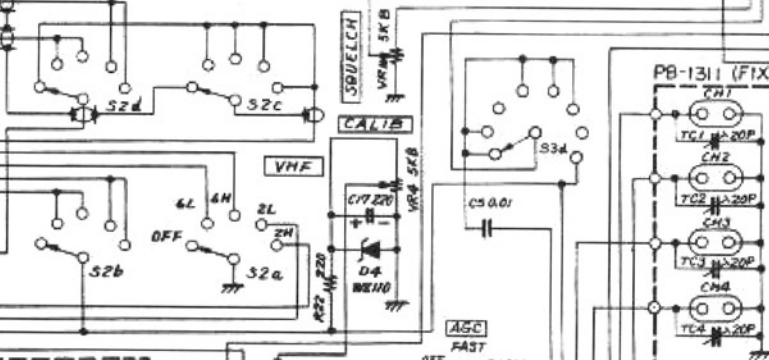
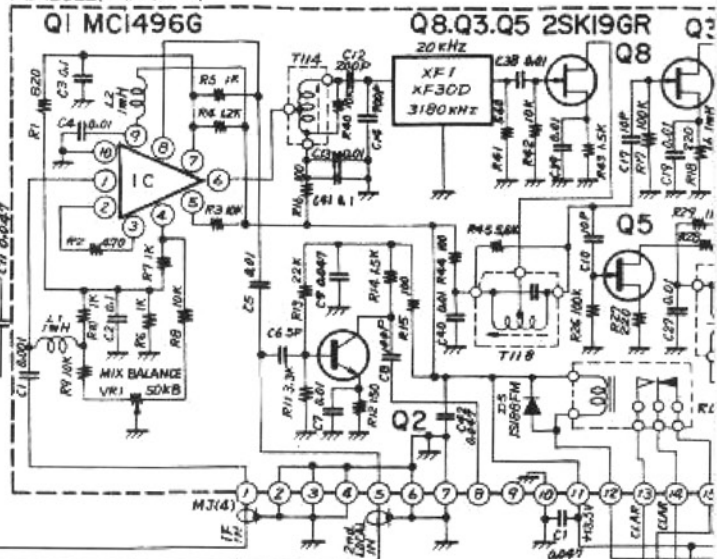
BAND	CRYSTAL	BAND	CRYSTAL
160 m	X1 7520 KHZ	15 m	X13 27020 KHZ
80 m	X2 9520 KHZ	13 m	X14 27520 KHZ
60 m	X4 10320 KHZ	11 m	X15 31520 KHZ
40 m	X7 13020 KHZ	C B	X17 33020 KHZ
31 m	X8 15520 KHZ	10 A	X18 34020 KHZ
25 m	X9 17520 KHZ	10 B	X19 34520 KHZ
20 m	X10 20020 KHZ	10 C	X20 35020 KHZ
19 m	X11 21020 KHZ	10 D	X21 35520 KHZ
16 m	X12 23520 KHZ	X1 ~ X4	OPTION

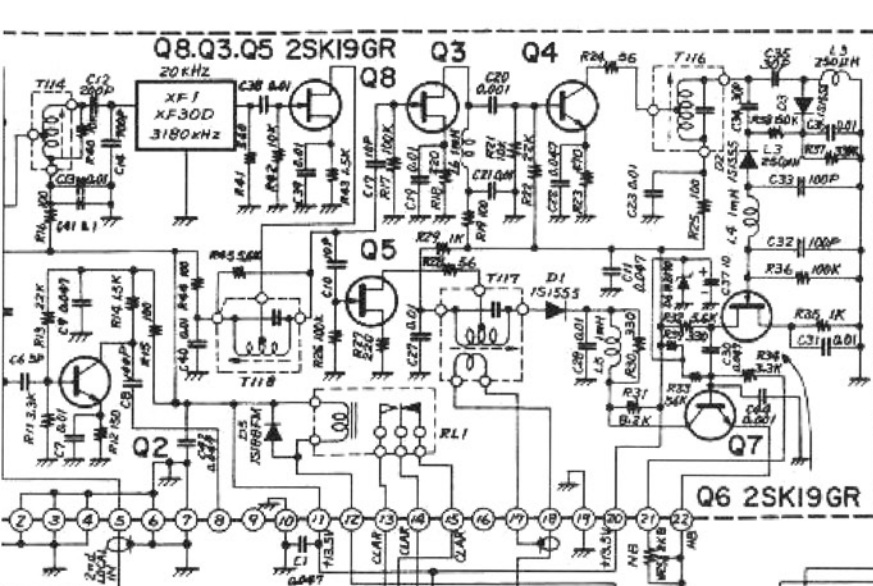
PB-1396 (RF AMP)

PB-1269C(FM DET)

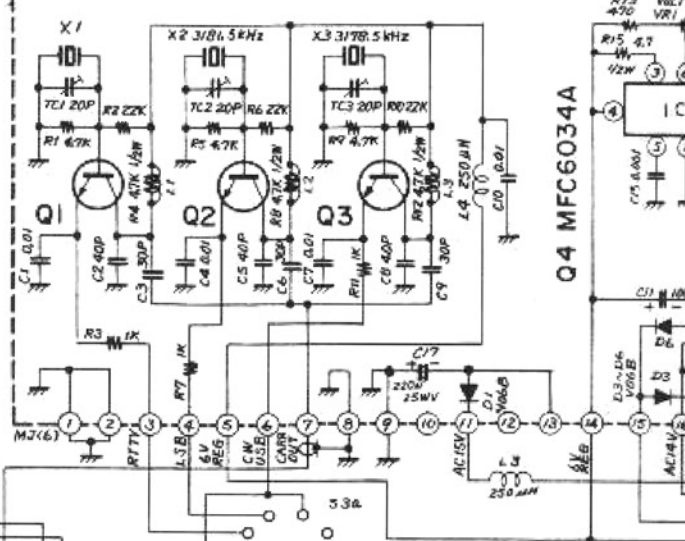


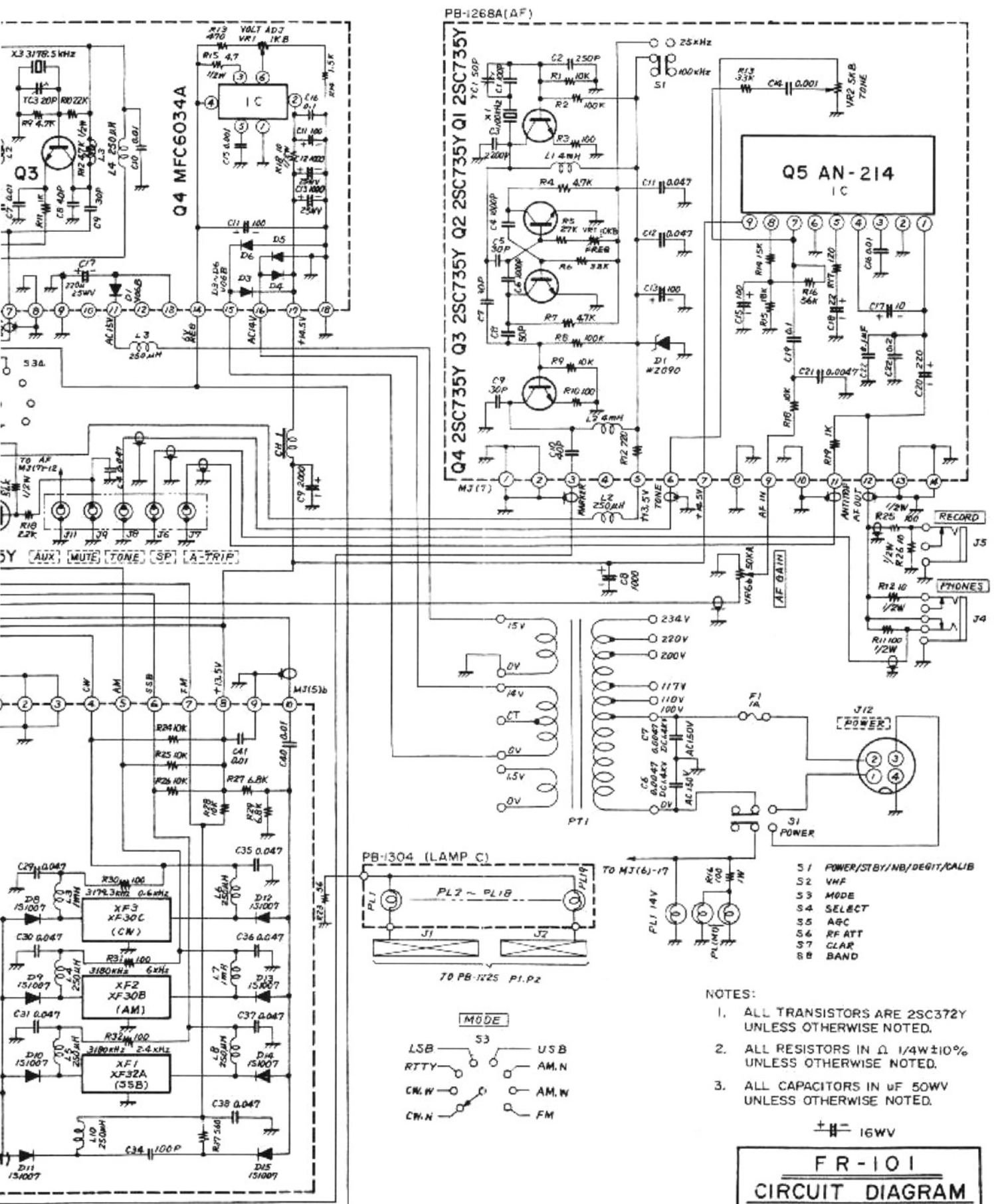
PB-1252B(MIX & NB)





PB-1312B(REG & BFO)





- S1 POWER/STBY/NO/DEGIT/CALIB
- S2 VHF
- S3 MODE
- S4 SELECT
- S5 AFC
- S6 RF ATT
- S7 CLAR
- S8 BAND

- NOTES:
1. ALL TRANSISTORS ARE 2SC732Y UNLESS OTHERWISE NOTED.
 2. ALL RESISTORS IN Ω 1/4W $\pm 10\%$ UNLESS OTHERWISE NOTED.
 3. ALL CAPACITORS IN μF 50WV UNLESS OTHERWISE NOTED.

$\pm 16WV$

FR-101
CIRCUIT DIAGRAM